

URBAN EFFICI3NCY.

When it comes to electric vehicle performance, the new BMW i3 continues to lead the way. Restyled front and rear bumpers and LED headlights lend a fresh sporty element to the exterior, while the new BMW i3s gets a Sport Suspension, more horsepower, wider wheels and a wider track for enhanced grip. Whichever i3 you choose, you'll be getting a BMW that shows efficient performance and fun go hand-in-hand.



BMW i3

[EXTERIOR COLORS](#)

[UPHOLSTERY / INTERIOR TRIMS](#)

[WHEELS / TIRES](#)

[PACKAGES / WORLDS](#)

[TECHNICAL DATA](#)



GO AHEAD AND STARE. IT'S NATURAL.

Nearly 80 percent of the interior surfaces in the i3 are made from sustainable materials. Open-pore Light Eucalyptus Wood trim deepens in color over time to give your dashboard a natural rich look. The i3 is also available with iDrive 6.0, which boasts a large, high-resolution screen and an optimized voice-recognition system.

Not all features are available on all models. Get the latest information on standard and optional features, packages and technical specifications. Visit bmwusa.com and select the BMW model of your choice.



PLUG AND PLAY.

Fully recharge your BMW i3 in less than 4 hours with the updated Level 2 charging station installed by BMW Installation Services. Once driving, use your ChargeNow[®] card to access over 44,000¹ U.S. charging stations, including a growing number of DC Combo Fast Chargers, where up to 80%² of your charge can be restored in just 30 minutes.

¹Number of charging locations within the ChargePoint network as of January 2018.

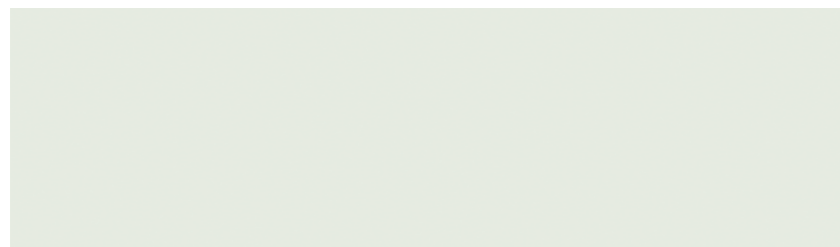
²2017 BMW i3 when charged with a Level 3 DC 480V charger at public charging station.



The BMW i3

EXTERIOR COLORS

NON-METALLIC

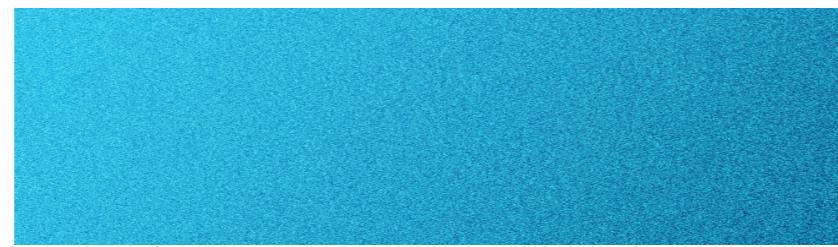


B85 Capparis White / BMW i Frozen Blue accent
(Non-metallic)



C2W Fluid Black / BMW i Frozen Blue accent
(Non-metallic)

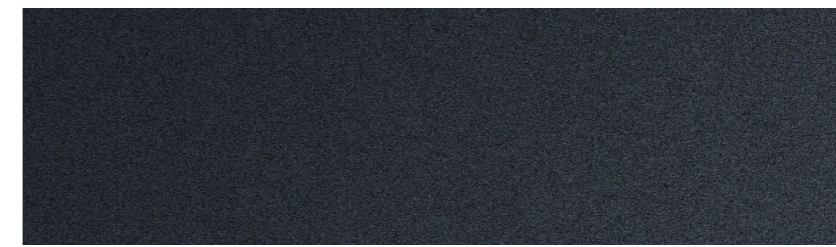
METALLIC



C01 Protonic Blue Metallic /
BMW i Frozen Grey accent



C1W Imperial Blue Metallic /
BMW i Frozen Grey accent



C2V Mineral Grey Metallic /
BMW i Frozen Blue accent



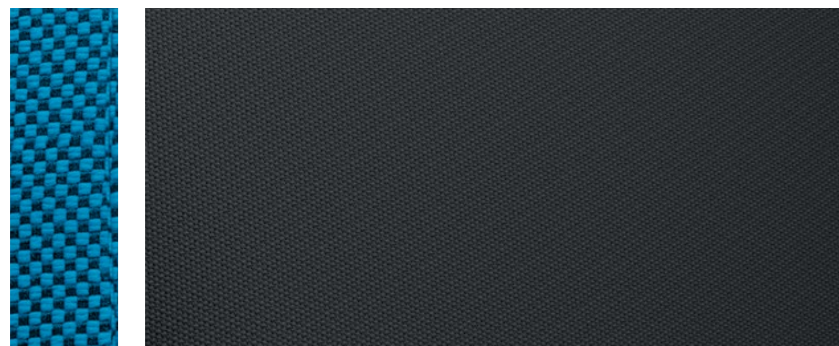
C32 Melbourne Red Metallic /
BMW i Frozen Grey accent



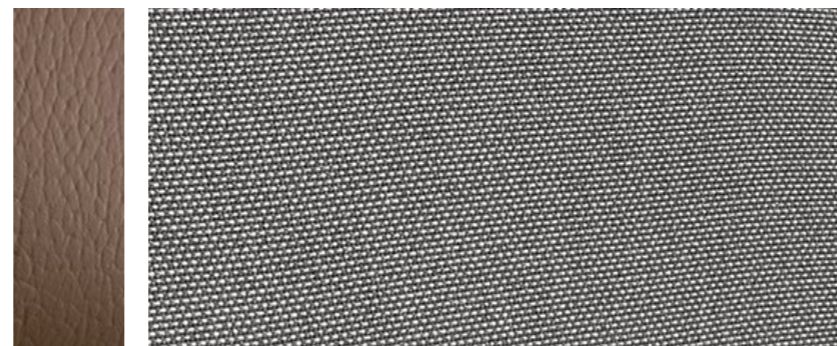
The BMW i3

UPHOLSTERY / TRIMS

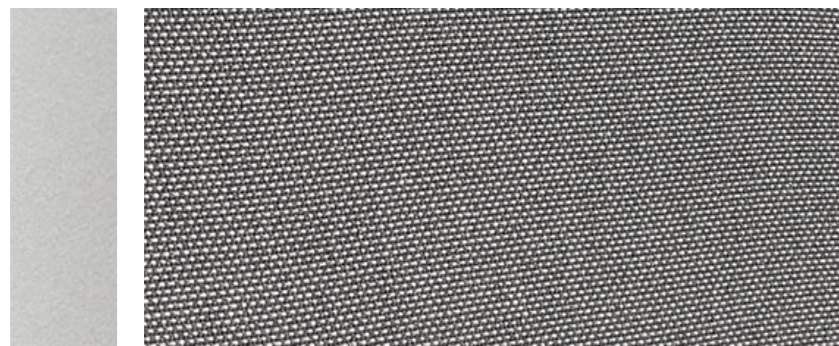
UPHOLSTERY



BHGI Deka Dark Cloth



NHBN Giga Brown Natural Leather /
Carum Spice Grey Wool Cloth



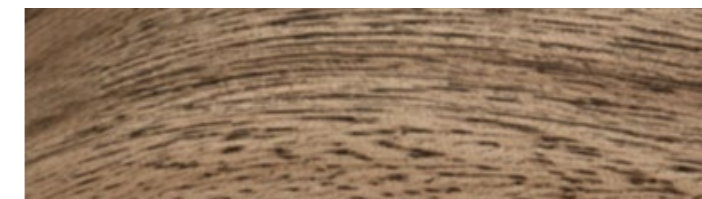
BKCI Mega Carum Spice Grey SensaTec /
Carum Spice Grey Cloth



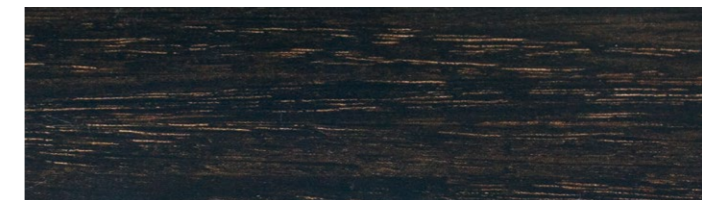
NLFT Tera Dalbergia Brown Full Natural Leather

Leather: Leather on all seating surfaces; other components may be Leather or SensaTec.

INTERIOR TRIMS



4EV Light Eucalyptus Wood trim



4EA Dark Oak Wood trim



4GC Andesite Dark Matte trim



4EX Andesite Silver Matte trim



The BMW i3

WHEELS / TIRES



BMW i Double Spoke Jet Black light alloy wheels (Style 431)

20 x 5.5 front, 20 x 6.0 rear; and 175/55 front, 195/50 rear performance tires^{1,2}

BMW i Double Spoke Bicolor light alloy wheels (Style 431)

20 x 5.5 front, 20 x 6.0 rear; and 175/55 front, 195/50 rear performance tires^{1,2}

BMW i Turbine light alloy wheels (Style 428)

19 x 5.0 front, 19 x 5.5 rear; and 155/70 front, 175/60 rear all-season tires¹



BMW i Turbine light alloy wheels (Style 429)

19 x 5.0 front, 19 x 5.5 rear; and 155/70 front, 175/60 rear all-season tires¹

BMW i Sport Double Spoke light alloy wheels (Style 430)

20 x 5.0 front, 20 x 5.5 rear; and 155/60 front, 175/55 rear performance tires^{1,2}

¹ BMW i3 vehicles come equipped with a Mobility Kit, not a spare wheel and tire. Driving over rough or damaged road surfaces, as well as debris, curbs and other obstacles, can cause serious damage to wheels, tires and suspension parts. This is more likely to occur with low-profile tires, which provide less cushioning between the wheel and the road. Be careful to avoid road hazards and reduce your speed, especially if your vehicle is equipped with low-profile tires.

² Performance tires are not recommended for driving in ice and snow conditions.

Wheel and tire specifications are subject to change. Get the latest information on standard and optional features, packages and technical specifications. Visit bmwusa.com and select the BMW model of your choice.



The BMW i3

PACKAGES / WORLDS

PACKAGES

TECHNOLOGY + DRIVING ASSISTANT PACKAGE

Active Cruise Control with Stop & Go¹ + Active Driving Assistant¹

BMW Navigation system

ConnectedDrive Services

Advanced Real Time Traffic Information

WORLDS

GIGA WORLD

20-inch BMW i Double Spoke Bicolor wheels (Style 431) (option available)

19-inch BMW i Turbine wheels (Style 428) (option available)

Light Eucalyptus Wood trim (option available)

Giga Brown Natural Leather and Carum Spice Grey Wool Cloth

MEGA WORLD

19-inch BMW i Turbine wheels (Style 428) (option available)

20-inch BMW i Double Spoke Bicolor wheels (Style 431) (option available)

Andesite Dark Matte trim

Mega Carum Spice Grey SensaTec and Carum Spice Grey Cloth

TERA WORLD

19-inch BMW i Turbine wheels (Style 428) (option available)

20-inch BMW i Double Spoke Bicolor wheels (Style 431) (option available)

Dark Oak Wood trim (option available)

Tera Dalbergia Brown Full Natural Leather upholstery

¹ These features are not a substitute for the driver's own responsibility. Due to road, traffic and visibility conditions, the driver decides whether and how the system is to be used.

Not all features are available on all models. Get the latest information on standard and optional features, packages and technical specifications. Visit bmwusa.com and select the BMW model of your choice.



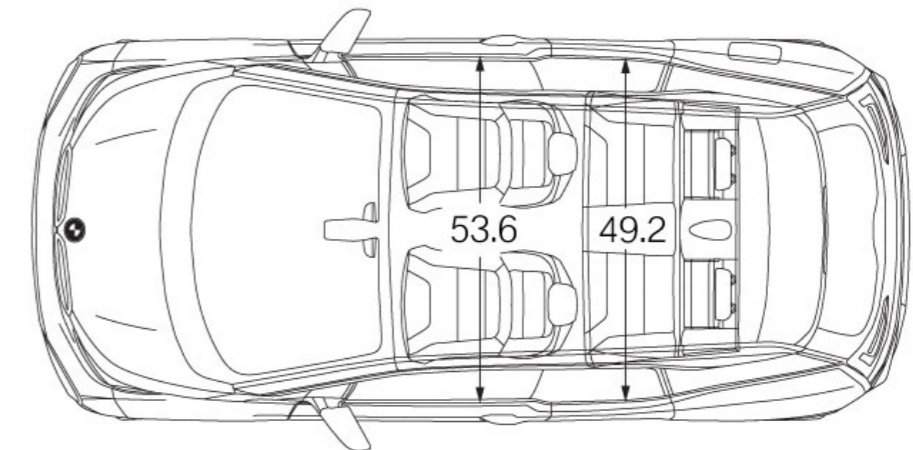
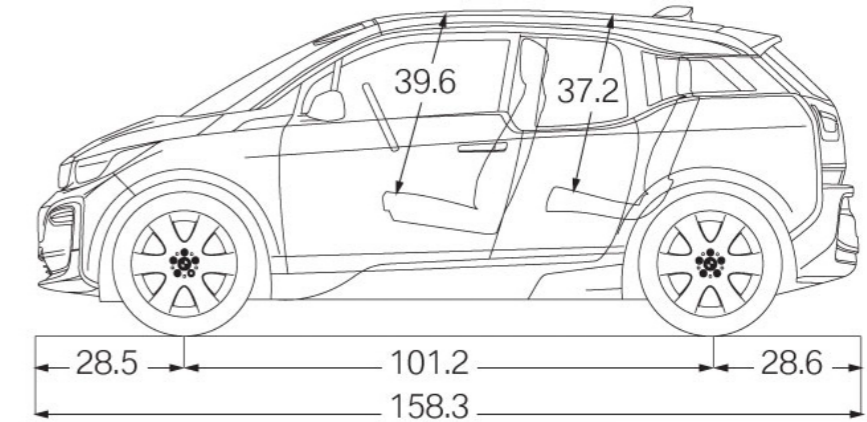
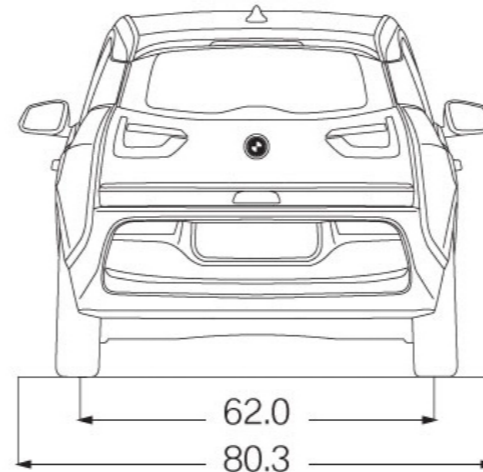
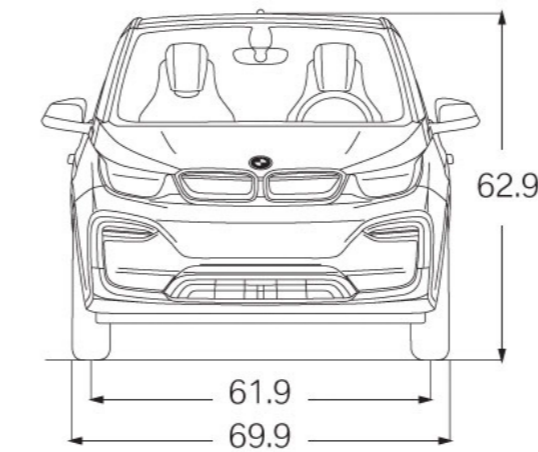
The BMW i3

TECHNICAL DATA

	BMW i3	BMW i3 with Range Extender	BMW i3s	BMW i3s with Range Extender
ENGINE	All-electric	All-electric + 2-cylinder gasoline engine	All-electric	All-electric + 2-cylinder gasoline engine
OUTPUT @ RPM	170 hp @ 4800 / 184 lb-ft from 0	170 hp @ 4800 / 184 lb-ft from 0	181 hp @ 4800 / 199 lb-ft from 0	181 hp @ 4800 / 199 lb-ft from 0
0-60 MPH (sec) ¹	7.2	8.0	6.8	7.6
CITY / HIGHWAY / COMBINED MPG	129/106/118	126/99/112	109 (combined)	109 (combined)



All dimensions in technical drawings are given in inches. Dimensions shown apply to i3.



Figures subject to change. Please visit your BMW Center for the most up-to-date information. Get the latest information on standard and optional features, packages and technical specifications. Visit bmwusa.com and select the BMW model of your choice.

¹BMW AG preliminary test results. Actual acceleration results may vary, depending on specification of vehicle; road and environmental conditions; testing procedures and driving style. These results should be used for comparison only and verification should not be attempted on public roads. BMW urges you to obey all posted speed laws and always wear safety belts.

²Fuel economy figures not available at time of printing. Please go to bmwusa.com for the most up-to-date fuel consumption information. Your actual mileage will vary, depending on speed, driving habits, trip length and driving conditions; actual mileage may be lower.