



# ALL-NEW. ALL-WHEEL. ALL-OUT.

The all-new BMW M5 pours out legendary M performance: 0–60 mph in 3.2 seconds and 0–124 in 11.1 seconds<sup>1</sup>, with racecar dynamics perfected on the world’s most challenging track, the Nürburgring Nordschleife. It’s the first M vehicle with M xDrive all-wheel drive. Touch a button to select confidence-inspiring all-wheel drive, Sport all-wheel drive or track-conquering two-wheel drive. Whether challenging a tough track or slippery road, the BMW M5 is all-out to win.

<sup>1</sup>BMW AG preliminary test results. Actual acceleration results may vary, depending on specification of vehicle; road and environmental conditions; testing procedures and driving style. These results should be used for comparison only and verification should not be attempted on public roads. BMW urges you to obey all posted speed laws and always wear safety belts.

Not all features are available on all models. Get the latest information on standard and optional features, packages and technical specifications. Visit [bmwusa.com](http://bmwusa.com) and select the BMW model of your choice.

## BMW M5 SEDAN

EXTERIOR COLORS

UPHOLSTERY

INTERIOR TRIMS

WHEELS / TIRES

PACKAGES

TECHNICAL DATA



## **BRING OUT THE COMPETITION.**

For a heightened M experience, step into the M5 Competition. An additional 17 horsepower, enhanced and lowered chassis, special Y-spoke bi-color M wheels and unique black styling elements bring out even more of the aggressive side of the M5.

# M5 SEDAN

## EXTERIOR COLORS

### NON METALLIC

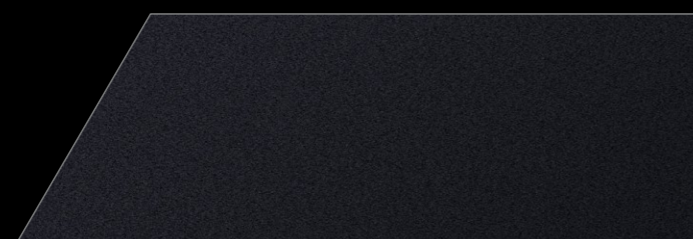


**300**  
Alpine White (NonMetallic)

### METALLIC



**475**  
Black Sapphire Metallic



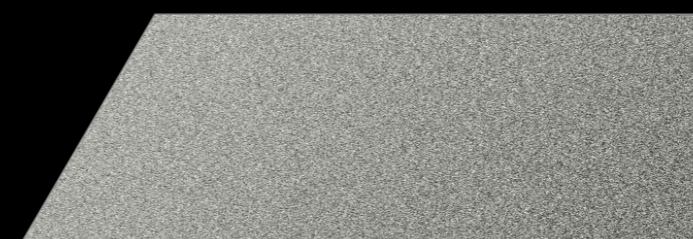
**B41**  
Singapore Gray Metallic



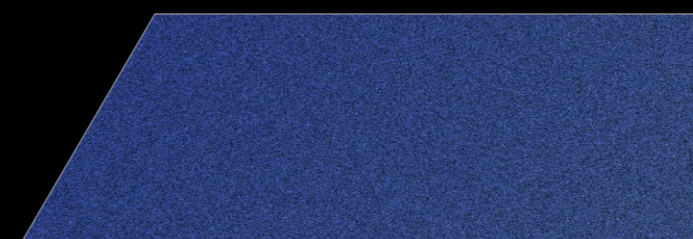
**C1G**  
Snapper Rocks Blue Metallic



**C2Y**  
Bluestone Metallic

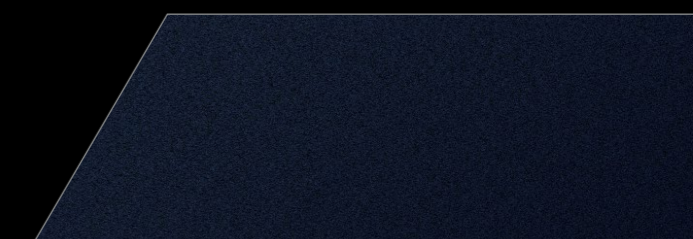


**C28**  
Donington Grey Metallic



**C1K**  
Marina Bay Blue metallic

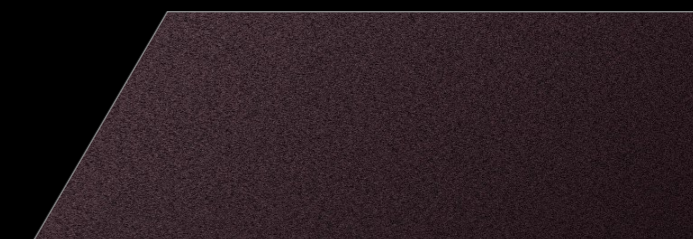
### BMW INDIVIDUAL



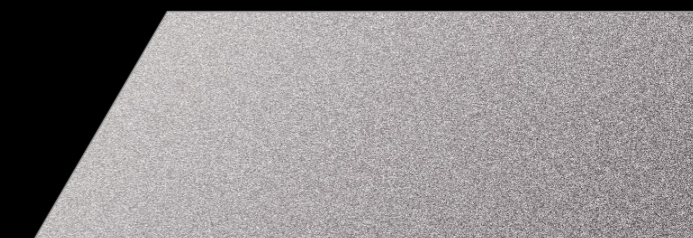
**S34**  
Azurite Black Metallic



**X08**  
Champagne Quartz Metallic



**X14**  
Almandine Brown Metallic

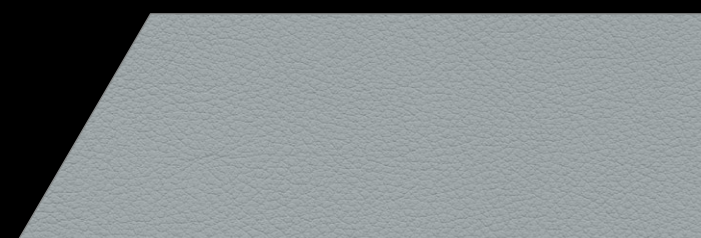


**X17**  
Rhodonite Silver Metallic

# M5 SEDAN

## UPHOLSTERY

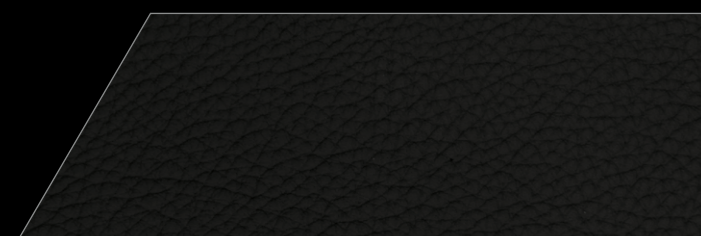
### EXTENDED MERINO LEATHER



**LKA9**  
Silverstone Extended Merino Leather

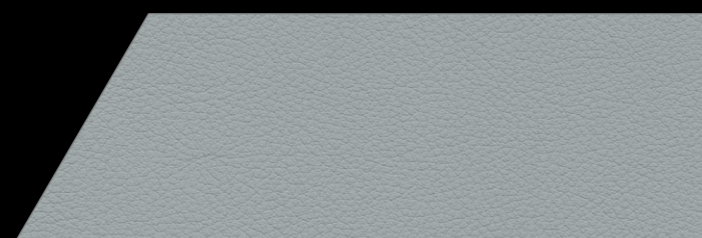


**LKD8**  
Aragon Brown Extended Merino Leather



**LKSW**  
Black Extended Merino Leather

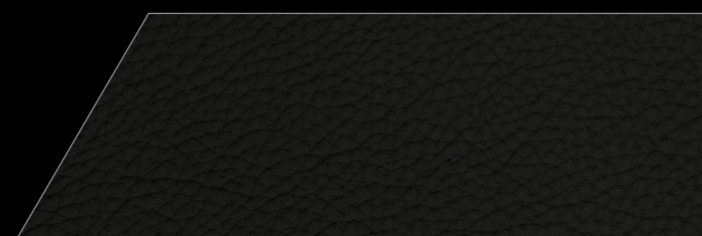
### FULL MERINO LEATHER



**X3A9**  
Silverstone Full Merino Leather

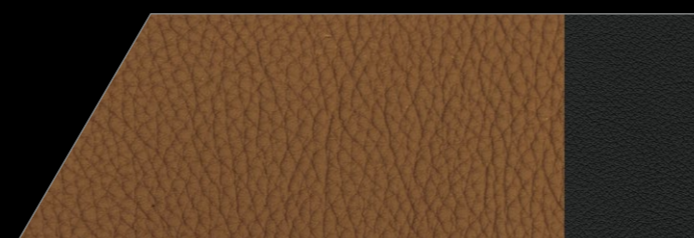


**X3D8**  
Aragon Brown Full Merino Leather

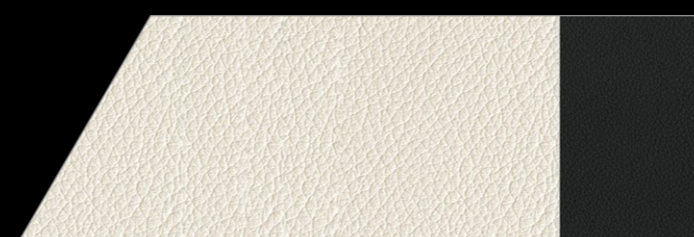


**X3SW**  
Black Full Merino Leather

### BMW INDIVIDUAL



**ZBCR**  
Caramel/Black Full Merino Leather



**ZBFU**  
Smoke White/Black Full Merino Leather



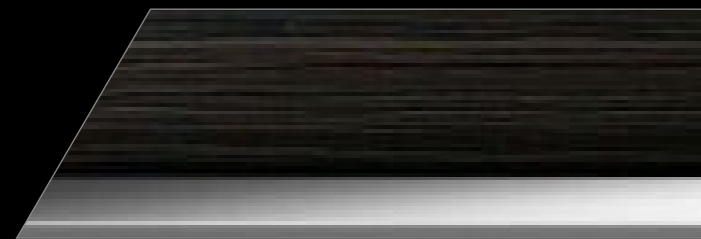
**ZBTQ**  
Tartufo Full Merino Leather

Leather: Leather on all seating surfaces; other components may be Leather or SensaTec.

# M5 SEDAN

## INTERIOR TRIMS

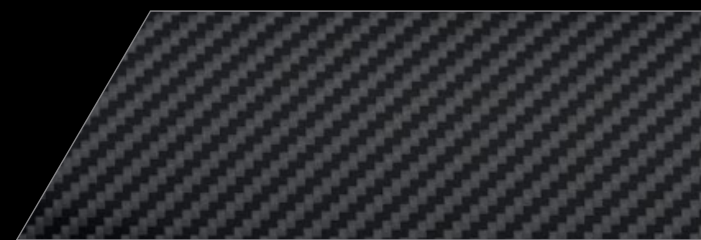
### INTERIOR TRIMS



**4LF**  
Fineline Ridge Wood Trim



**4WN**  
Aluminum Carbon Structure Interior Trim

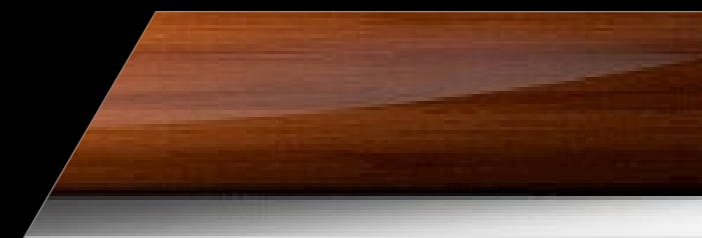


**4WM**  
Aluminum Carbon Structure  
Dark Interior Trim

### BMW INDIVIDUAL



**4ML**  
Piano Finish Black Trim



**4WY**  
Plum Brown Wood Trim

# M5 SEDAN

## WHEELS / TIRES



**19" M Double-spoke bi-color wheels, style 705M,**  
19 x 9.5 front, 19 x 10.5 rear; and 275/40 front,  
285/40 performance<sup>1,2</sup> non run-flat<sup>3</sup> tires



**20" M Double-spoke bi-color wheels, style 706M,**  
20 x 9.5 front, 20 x 10.5 rear; and 275/35 front,  
285/35 performance<sup>1,2</sup> non run-flat<sup>3</sup> tires



**20" M Double-spoke black wheels, style 706M,**  
20 x 9.5 front, 20 x 10.5 rear; and 275/35 front,  
285/35 performance<sup>1,2</sup> non run-flat<sup>3</sup> tires



**20" M Y-spoke forged bi-color wheels, style 789M,**  
20 x 9.5 front, 20 x 10.5 rear; and 275/35 front,  
285/35 performance<sup>1,2</sup> non run-flat<sup>3</sup> tires

<sup>1</sup> Driving over rough or damaged road surfaces, as well as debris, curbs and other obstacles, can cause serious damage to wheels, tires and suspension parts. This is more likely to occur with low-profile tires, which provide less cushioning between the wheel and the road. Be careful to avoid road hazards and reduce your speed, especially if your vehicle is equipped with low-profile tires.

<sup>2</sup> Performance tires are not recommended for driving in ice and snow conditions.

<sup>3</sup> Run-flat tires do not come equipped with a spare wheel and tire; non run-flat tires come equipped with a Mobility Kit.

Wheel and tire specifications are subject to change. Get the latest information on standard and optional features, packages and technical specifications. Visit [bmwusa.com](http://bmwusa.com) and select the BMW model of your choice.

# M5 SEDAN

## PACKAGES

### EXECUTIVE PACKAGE

Soft-close automatic doors  
Power rear sunshade & rear side window shades  
Front ventilated seats  
Front and Rear Heated Seats  
4-zone automatic climate control  
Front massaging seats  
Parking Assistant Plus  
Wireless Charging and WiFi Hotspot<sup>1</sup>  
Enhanced USB and Bluetooth<sup>®</sup>  
Active Park Distance Control  
Surround View w/ 3D View

### DRIVING ASSISTANCE PLUS PACKAGE<sup>2</sup>

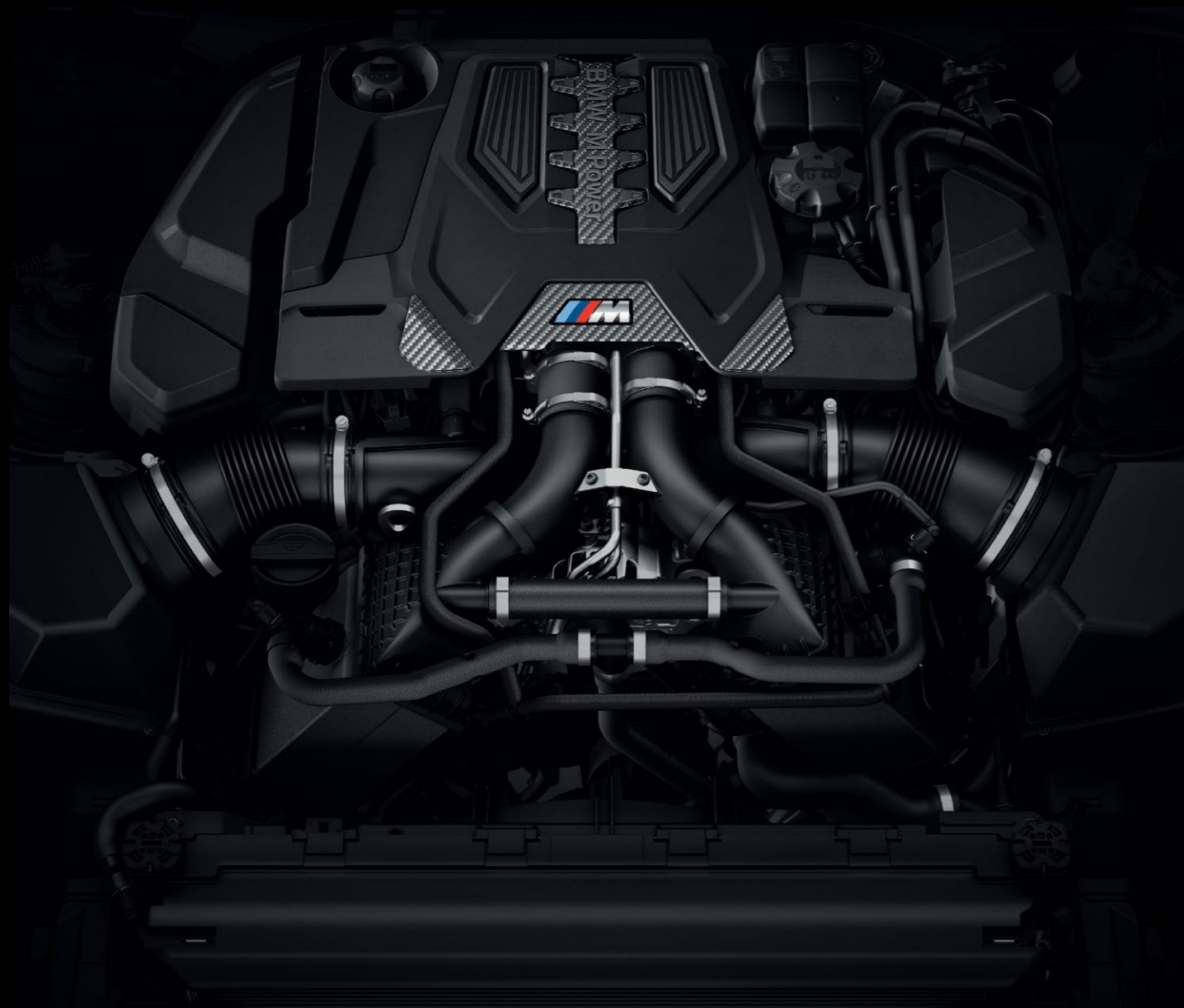
Active Driving Assistant Plus

<sup>1</sup> Includes a 3GB or 3-month trial, whichever ends first, under an AT&T<sup>®</sup> contract.

<sup>2</sup> This feature is not a substitute for the driver's own responsibility. Due to road, traffic and visibility conditions, the driver decides whether and how the system is used.

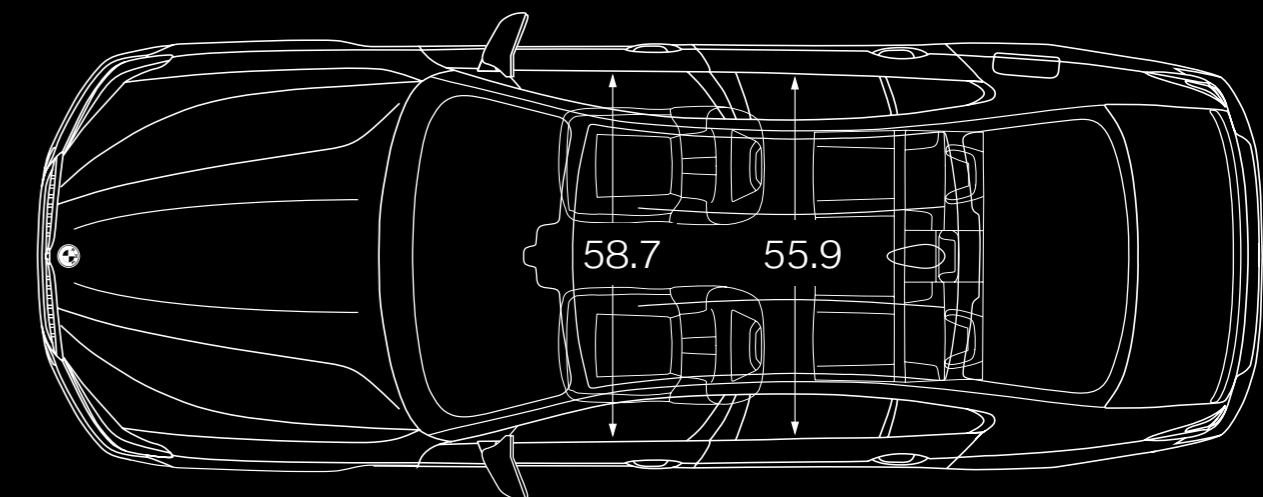
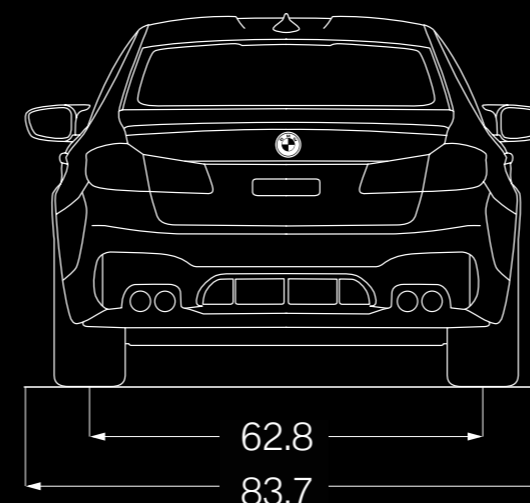
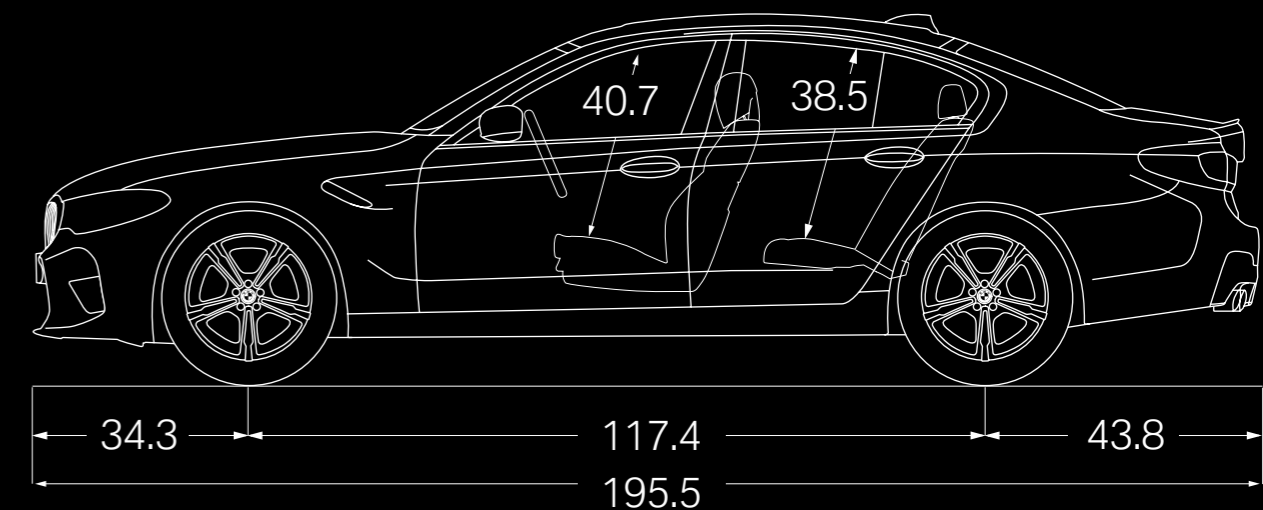
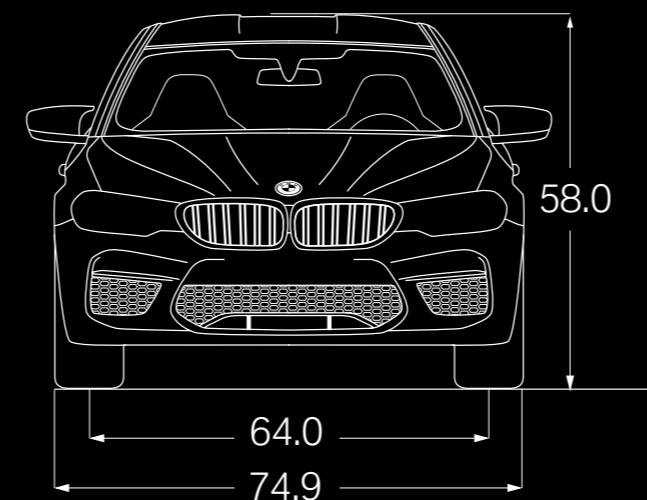
# M5 SEDAN

## TECHNICAL DATA



	BMW M5	BMW M5 Competition
ENGINE	4.4-liter M TwinPower Turbo V-8	
OUTPUT @ RPM	600 hp @ 5700–6600 / 553 lb-ft @ 1800–5700	617 hp @ 6000 / 553 lb-ft @ 1800–5860
0–60 MPH (sec) <sup>1</sup>	3.2	3.1
CITY / HIGHWAY / COMBINED MPG	TBP	TBP

All dimensions are shown in inches.



<sup>1</sup>BMW AG preliminary test results. Actual acceleration results may vary, depending on specification of vehicle; road and environmental conditions; testing procedures and driving style. These results should be used for comparison only and verification should not be attempted on public roads. BMW urges you to obey all posted speed laws and always wear safety belts.

Figures subject to change. Please visit your BMW Center for the most up-to-date information. Get the latest information on standard and optional features, packages and technical specifications. Visit [bmwusa.com](http://bmwusa.com) and select the BMW model of your choice.