



THE COMPETITION HAS ARRIVED.

The All-New BMW M2 Competition Coupe is packed with performance. A new M TwinPower Turbo engine puts down 405 hp and powers the M2 from 0–60 in just 4.0 seconds,¹ while an M Sport suspension with new carbon fiber strut tower brace works to keep everything under control. The Competition comes prepared – are you?

¹BMW AG preliminary test results. Actual acceleration results may vary, depending on specification of vehicle; road and environmental conditions; testing procedures and driving style. These results should be used for comparison only and verification should not be attempted on public roads. BMW urges you to obey all posted speed laws and always wear safety belts.

Not all features are available on all models. Get the latest information on standard and optional features, packages and technical specifications. Visit bmwusa.com and select the BMW model of your choice.



BMW M2 COMPETITION COUPE

EXTERIOR COLORS

UPHOLSTERY

INTERIOR TRIMS

WHEELS / TIRES

PACKAGES

TECHNICAL DATA



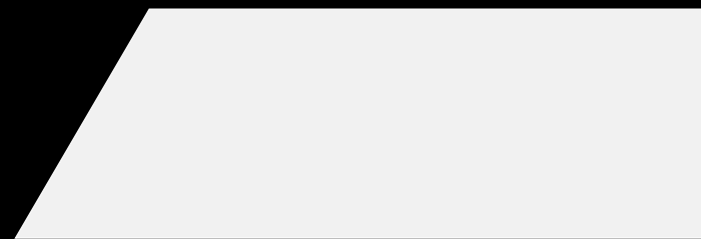
M IN EVERY DETAIL.

From the new M Sport seats taken from the BMW M3 that hold you firmly in place during spirited driving, to the tri-colored M stripes on the safety-belt straps, the BMW M2 Competition Coupe is here to bring out your motorsport passion.

M2 COMPETITION COUPE

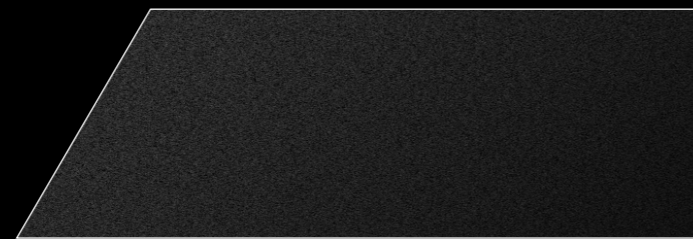
EXTERIOR COLORS

NON METALLIC



300
Alpine White (NonMetallic)

METALLIC



475
Black Sapphire Metallic



C33
Hockenheim Silver Metallic



C16
Long Beach Blue Metallic



C1X
Sunset Orange Metallic

M2 COMPETITION COUPE

UPHOLSTERY

DAKOTA LEATHER



MDB2
Black Dakota Leather with
blue stitching



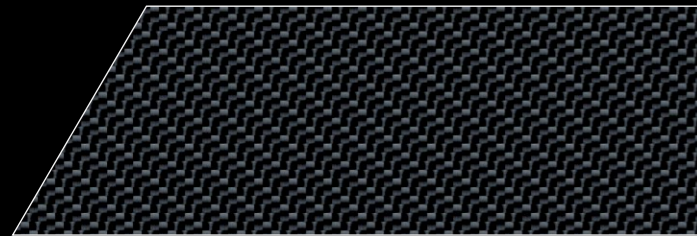
MDOE
Black Dakota Leather with
orange stitching

Leather on all seating surfaces; other components
may be Leather or SensaTec.

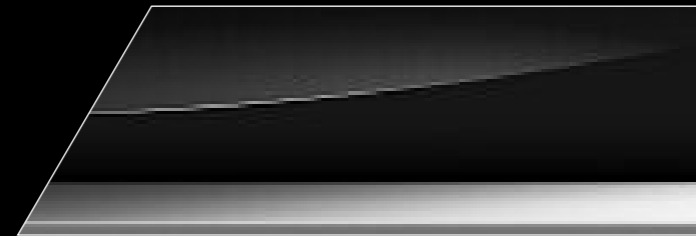
M2 COMPETITION COUPE

INTERIOR TRIMS

INTERIOR TRIMS



4MC
Carbon Fiber Interior Trim



4LU
Black High-gloss Trim with
Pearl Chrome Accent

M2 COMPETITION COUPE

WHEELS / TIRES



19" M Forged Bi-color Y-Spoke Wheels Style 788 M

19 x 9.0 front, 19 x 10.0 rear; and 245/35 front,
265/35 performance^{1,2} rear run-flat³ tires



19" M Forged Black Y-Spoke Wheels Style 788 M

19 x 9.0 front, 19 x 10.0 rear; and 245/35 front,
265/35 performance^{1,2} rear run-flat³ tires

¹ Driving over rough or damaged road surfaces, as well as debris, curbs and other obstacles, can cause serious damage to wheels, tires and suspension parts. This is more likely to occur with low-profile tires, which provide less cushioning between the wheel and the road. Be careful to avoid road hazards and reduce your speed, especially if your vehicle is equipped with low-profile tires.

² Performance tires are not recommended for driving in ice and snow conditions.

³ Run-flat tires do not come equipped with a spare wheel and tire.

Wheel and tire specifications are subject to change. Get the latest information on standard and optional features, packages and technical specifications. Visit bmwusa.com and select the BMW model of your choice.

M2 COMPETITION COUPE

PACKAGES

EXECUTIVE PACKAGE

Heated Steering Wheel
Adaptive Full LED Lights
Automatic High Beams
Wireless Charging and Wifi Hotspot
Speed Limit Info

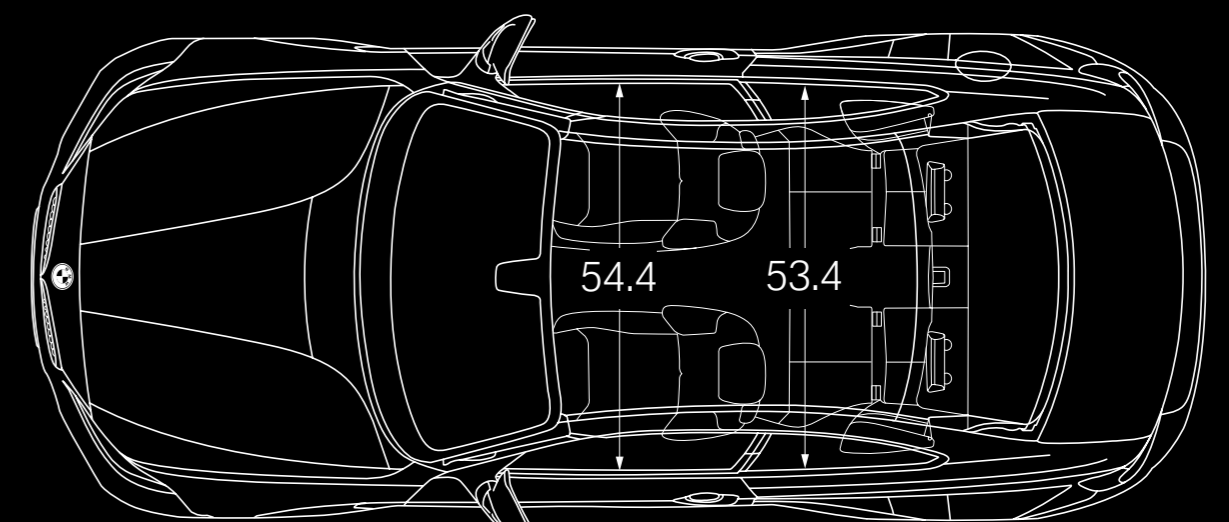
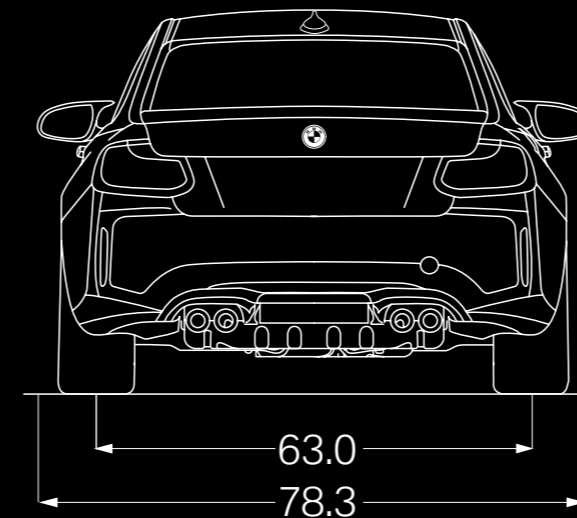
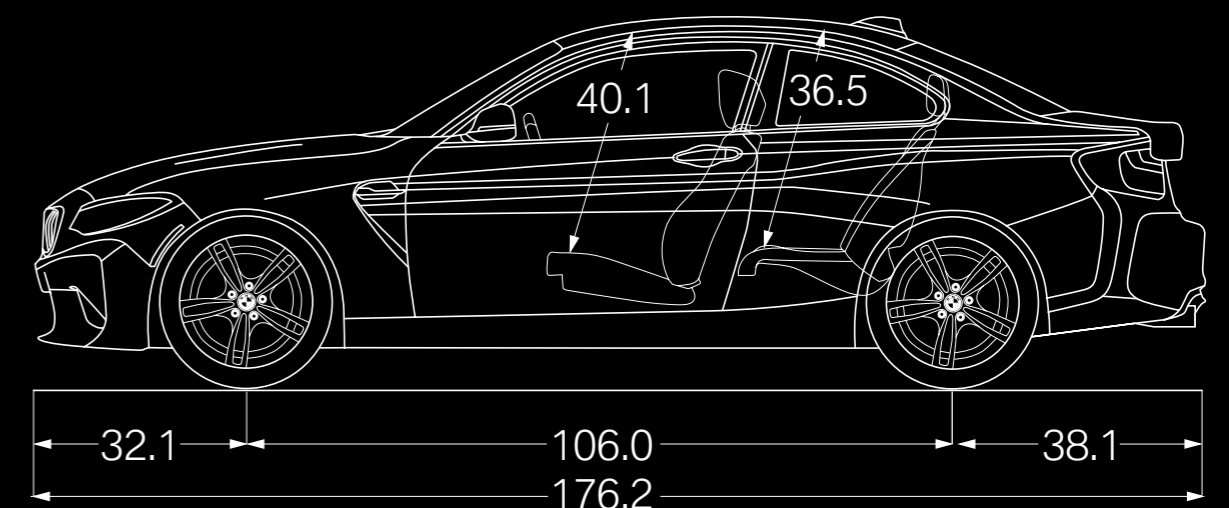
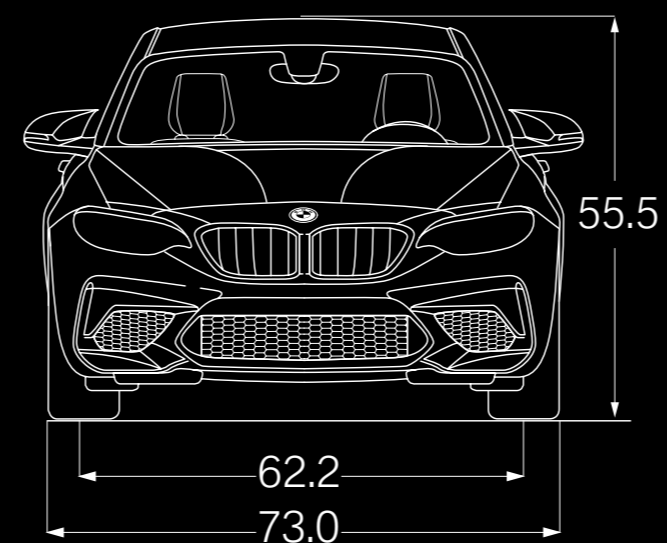
M2 COMPETITION COUPE

TECHNICAL DATA



| | BMW M2 Competition Coupe |
|-------------------------------|---|
| ENGINE | 3.0-liter M TwinPower Turbo inline 6-cylinder |
| OUTPUT @ RPM | 405 hp @ 5230-7000 / 406 lb-ft @ 2350-5230 |
| 0-60 MPH (sec) ¹ | 4.2 [4.0] |
| CITY / HIGHWAY / COMBINED MPG | 24 / 34 / 27 [TBP] |

All dimensions are shown in inches.



Figures in [] refer to vehicles with manual transmission. Figures subject to change.

¹BMW AG preliminary test results. Actual acceleration results may vary, depending on specification of vehicle; road and environmental conditions; testing procedures and driving style.

These results should be used for comparison only and verification should not be attempted on public roads. BMW urges you to obey all posted speed laws and always wear safety belts.

Figures subject to change. Please visit your BMW Center for the most up-to-date information. Get the latest information on standard and optional features, packages and technical specifications. Visit bmwusa.com and select the BMW model of your choice.